

SVW/SVSW/SVSUW screw clamps

Product information

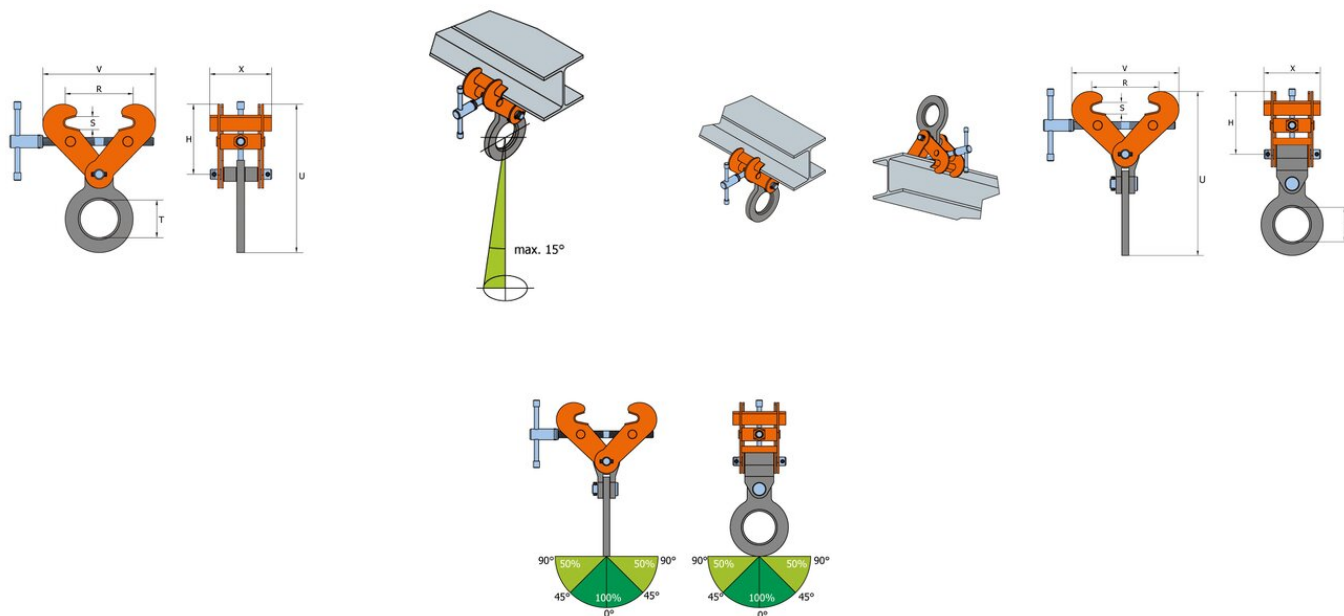


General: Only suitable for lifting and moving of steel beams and structures. The clamping force is evenly transferred to the jaws by means of a spindle. Can also be attached upside down and be used as a (temporary) lifting point. Has equal opening and closing of both jaws for simple and quick assembly. Lifting capacity and jaw opening are clearly engraved in the body.

... [Read more](#)

SVW/SVSW/SVSUW screw clamps

Blueprint



Technical data

Part code	Code	WLL ton	Jaw width mm	H mm	S mm	T mm	U mm	V mm	X mm	Weight kg
16.11SVW1t	SVW 1 t	1	75-190	113-192	30	73.5	345	357	120	5
16.11SVW2t	SVW 2 t	2	75-190	113-192	30	73.5	345	357	120	5
16.11SVW3t	SVW 3 t	3	75-190	113-192	30	73.5	345	357	120	5
16.11SVW4t	SVW 4 t	4	150-300	185-240	40	80	422	450	180	15
16.11SVW5t	SVW 5 t	5	150-300	185-240	40	80	422	450	180	15
16.11SVW10t	SVW 10 t	10	350-450	400-447	95	88	653	695	200	50