

VNMAW vertical lifting clamps

Product information

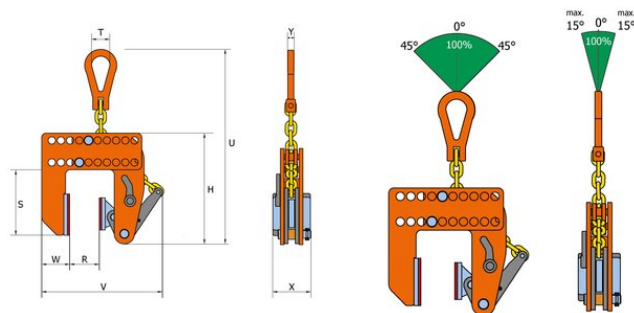


General: This special clamp is fitted with two clamp jaws made from a synthetic material that leave no imprint on the material to be lifted during use, making it particularly suited for moving, lifting and lowering special materials such as stainless steels (Inox), aluminium sheet metal, wooden boards and chipboard. The clamp is hooked directly onto the crane hook using a high-strength chain and has a load capacity of 0,5t. The clamp is adjustable in 20 mm steps. No minimum WLL is required.

... [Read more](#)

VNMAW vertical lifting clamps

Blueprint



Technical data

Part code	Code	WLL ton	Jaw width mm	H mm	S mm	T mm	U mm	V mm	W mm	X mm	Y mm	Weight kg
16.01VNMAW0.5t	VNMAW 0.5 t	0.5	1-180	242	143	40	410	235-395	61	80	14	10