

VEUW A vertical lifting clamps

Product information

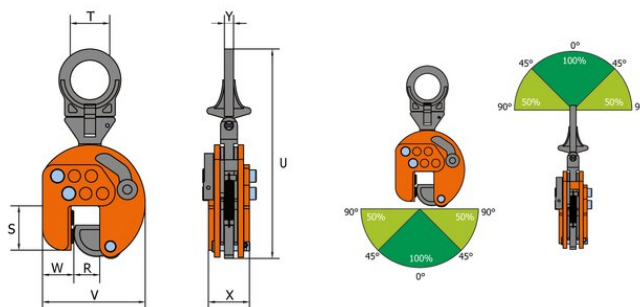


General: Only one clamp is needed for different kind of jobs. Also the same clamp can be used if a big jaw opening is necessary. For lifting and moving of steel plates and structures from all positions. Jaw opening from 0 - 95 mm. Adjustable by steps of 30 mm. Capacity 3,000 kg. Strong and lightweight construction. Minimum WLL is 10% of the maximum WLL.

... [Read more](#)

VEUW A vertical lifting clamps

Blueprint



Technical data

Part code	Code	WLL ton	Jaw width mm	S mm	T mm	U mm	V mm	W mm	X mm	Y mm	Weight kg
16.01VEUW-A3t	VEUW-A 3 t	3	0-95	79	70	373	183-243	51	77	16	10