

## Lifting Eye Pewag PLBW

### Product information



Screwable, 360° rotatable lifting point. The load ring is 180° movable and can be positioned at any required angle due to its replaceable and patented spring. Likewise interchangeable is the hexagon-special screw of grade 10.9 material, which is secured against loss.

The screw is 100% crack-tested as well as covered with a chromate VI-free protection against corrosion. It can be tightened with a hexagon wrench or spanner wrench.

Pewag winner profilift beta is available with metric or UNC-thread, whereas the lifting points with metric thread are also obtainable with customized thread lengths.

#### Permissible usage

Load capacity acc. to the inspection certificate respectively table of WLL in the mentioned directions of pull – see picture 1 and 2.

#### Non permissible usage

Make sure when choosing the assembly that improper load can not arise e.g. if:

- The direction of pull is obstructed.
- Direction of pull is not in the foreseen area (see picture 3).
- Loading ring rests against edges or load (picture 4).

The load ring must be placed in the direction of pull before loading – do not turn under load.

#### To calculate the necessary thread length (L):

$$L = H + S + K + X$$

H = Material height

[... Read more](#)

**Material:** Alloy steel

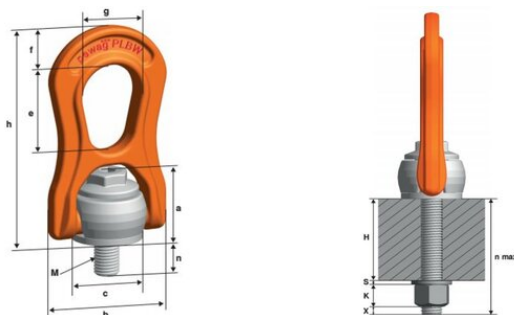
**Marking:** According to standard, CE-marked, WLL, thread size and an individual serial number.

**Standard:** EN 1677-1  
*except grade/WLL*

**Safety factor:** 5:1

## Lifting Eye Pewag PLBW

### Blueprint



### Technical data

Part code	Code	WLL ton	Thread	a mm	b mm	c mm	e mm	f mm	g mm	h mm	n mm	n max mm mm	Weight kg
11.4214229	PLBW 0,3 t	0.3	M8	29	56	30	38	18	27	94	13	80	0.32
11.4214230	PLBW 0,6 t	0.6	M10	29	56	30	38	18	27	94	15	100	0.33
11.4214236	PLBW 1 t	1	M12	29	56	30	38	18	27	94	17	180	0.34
11.4214231	PLBW 1,3 t	1.3	M14	43	79	45	55	25	38	138	22	220	1.03
11.4214232	PLBW 1,6 t	1.6	M16	43	79	45	55	25	38	138	24	260	1.04
11.4214237	PLBW 2 t	2	M18	43	79	45	55	25	38	138	27	295	1.07
11.4214188	PLBW 2,5 t	2.5	M20	43	79	45	55	25	38	138	30	335	1.08
11.4214238	PLBW 3 t	3	M22	64	118	68	85	38	58	209	33	355	3.5
11.4214239	PLBW 4 t	4	M24	64	118	68	85	38	58	209	36	355	3.53
11.4214240	PLBW 5 t	5	M27	64	118	68	85	38	58	209	40	355	3.58
11.4214241	PLBW 6,3 t	6.3	M30	64	118	68	85	38	58	209	45	355	3.66
11.4214242	PLBW 8 t	8	M33	106	188	108	132	60	91	331	54	328	14.5
11.4214233	PLBW 10 t	10	M36	106	188	108	132	60	91	331	59	328	14.6
11.4214234	PLBW 12,5 t	12.5	M42	106	188	108	132	60	91	331	69	328	14.9
11.4214235	PLBW 15 t	15	M48	106	188	108	132	60	91	331	74	328	15.2