

Vertical Lifting Clamp IPU10

Product information



The IPU10 vertical lifting clamp is used for lifting, turning, moving or vertical transfer of sheet, plates, or fabrications from horizontal to vertical and down to horizontal (180°) as needed. The hinged hoisting eye (a.k.a. universal eye) allows for the clamp to place and lift the load from any direction, or with a multiple leg sling without side-loading the clamp. Available in a variety of models:

- IPU10 - Standard clamp for materials with a surface hardness to 363HV10 (345 HB).
- IPU10J - Larger jaw opening.
- IPU10S - For use with Stainless Steel material.
- IPU10H - For use with materials with a surface hardness to 472HV10 (450 HB).

Features:

- Available in capacities of 0.5 thru 30 metric tons
- Higher Working Load Limits are available upon request.
- Wide variety of jaw openings available: 0 to 155 mm.
- Welded alloy steel body for strength and smaller size. Forged alloy components, where required.
- Individually Proof Tested to 2 times the Working Load Limit with certification.
- User manual and test certificate included with each clamp.
- Full 180° turning range for material transfer, turning or moving.
- Lock open, lock closed ability with latch for pretension on material and then release of material.
- For use with materials with surface hardness to 279HV10, only 5% min WLL is needed.
- Maintenance and repair kits are available.
- All sizes are RFID EQUIPPED.

... [Read more](#)

Material: Alloy steel.

Marking: According to standard, CE-marked, WLL, Logo, Jaw opening, Serial number

Temperature range: -40°C up to +100°C

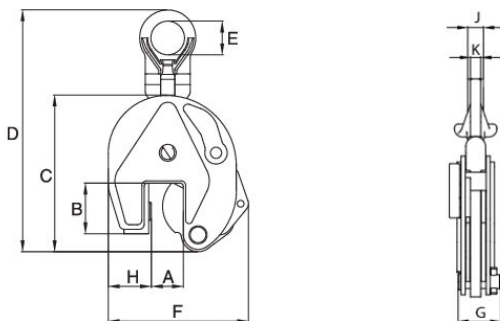
Standard: EN 13155

Warning: A minimum load of 10% of the WLL is required. Except for WLL 500 KG which requires a minimum load of 5% of WLL.

Safety factor: 4:1

Vertical Lifting Clamp IPU10

Blueprint



Technical data

Part code	WLL ton	Jaw width mm	Model	B mm	C mm	D mm	E mm	F mm	G mm	H mm	J mm	K mm	Weight kg
16.012701675	0.5	0-16	IPU10	44	130	216	40	115	42	28	-	11	1.9
16.012701663	1	0-20	IPU10	45	139	225	40	127	42	38	-	11	2.4
16.012701677	2	0-35	IPU10	78	201	368	70	188	64	55	-	16	8.5
16.012701665	3	0-40	IPU10	100	253	436	75	222	78	60	-	20	14.8
16.012701667	4.5	0-40	IPU10	100	253	445	75	232	82	65	-	20	16
16.012701669	6	0-50	IPU10	126	302	525	80	292	84	95	44	20	24
16.012701671	9	0-50	IPU10	126	325	552	80	310	94	104	44	20	30.9
16.012701679	12	0-54	IPU10	160	392	616	80	433	121	137	41	25	57
16.012701683	16	5-64	IPU10	180	463	736	88	492	121	153	45	25	79
16.012701687	22.5	5-80	IPU10	222	554	863	110	565	139	186	49	25	126
16.012701691	30	5-80	IPU10	222	554	868	110	580	153	186	54	30	141