

GKS Perfekt Transportset L20/F20

Product information



The GKS worldwide approved transport trolleys solving your in-house heavy load standards - safe and perfect! Series F and L – the perfect 3-point moving solution for safe and simple transport. F trolleys – the rear axle of the load moving system with adjustable connecting bar to fit under heavy loads of almost any width. L trolleys – the front steering support with swivel top and tow eye to guide your loads safely. Wheels - special GKS wheels, that do not mark floors. Low rolling resistance and highest stability for numerous uses.

L20/F20 set:

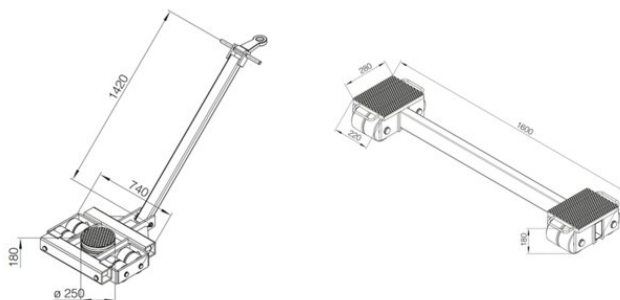
- Heavy duty transport trolleys for loads upto 40 t.
- Extremely low loading height: 180 mm
- All transport trolleys from F/L20 to F/L60 are interchangeable due to identical loading height.

Contact us for more possibilities! Sets available up to 120t.

[... Read more](#)

GKS Perfekt Transportset L20/F20

Blueprint



Technical data

Part code	Type	Loading height mm	Number of wheels	Swivel plate dia. mm	Wheels diameter mm	Swivel pad steerable at	Width mm	Contact surface mm	Dimensions mm	Weight kg
16.99GKSF20	Rear, stationary	180	8	-	140x85	-	440-1600	280x220	-	81
16.99GKSL20	Front, steerable	180	8	170	140x85	± 90°	-	-	(L) 747 x (W) 800	170