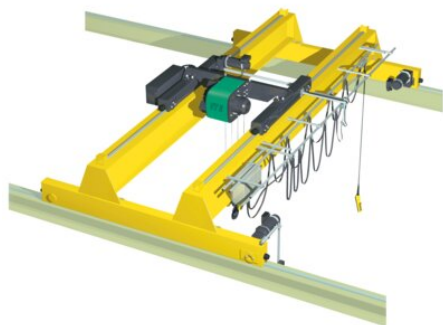


## Overhead cranes: intro

---

### Product information



Making every workplace accessible for lifting work is possible with a rail system, slewing crane or overhead crane. Mennens equips each system with the necessary hoists, switches, bends,... and options such as extremely low rolling resistance. The result? An internal transport system that is very efficient, ergonomic, and flexible.

Move loads of 100, 1,000, 10,000, and 100,000 kg over a large work area. It works without any problems! Looking for a specific design? Then the Mennens project department will work with you to create a system that fully meets your specifications and wishes.

Do you have specific questions regarding specifications, applications, possibilities, and assembly,...? Contact your nearest Mennens office. [... Read more](#)

---