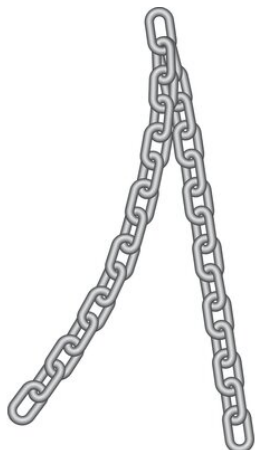


## Short Link Chain E-7661

---

### Product information



Short link chain, commercial quality.

Certification on request: 2.1

[... Read more](#)

---

**Material:** mild steel

**Marking:** According to standard

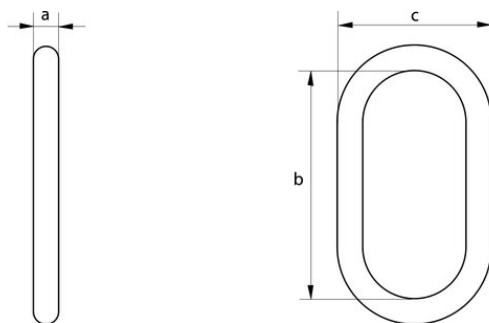
**Finish:** electro-galvanized

**Standard:** DIN 766

**Grade:** 3

## Short Link Chain E-7661

### Blueprint



### Technical data

Chain diameter mm	Package	a mm	b mm mm	c mm	Weight kg/m
3	Bundle	3	16	11	0.17
4	Bundle	4	16	14	0.32
5	Bundle	5	18.5	17	0.5
6	Bundle	6	18.5	20	0.75
7	Bundle	7	22	23	1
8	Bundle	8	24	26	1.35
9	Bundle	9	27	30	1.8
10	Bundle	10	28	34	2.25
11	Bundle	11	31	36	2.7
13	Bundle	13	36	44	3.8
16	Bundle	16	45	54	5.8
18	Bundle	18	50	60	7.3