

Thimble Heavy Duty Stub-end K2-B GN

Product information



Suitable for wire rope.

Standard certification : Certificate of Conformity

... [Read more](#)

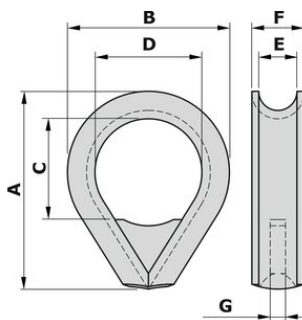
Material: Mild steel.

Temperature range: -20°C up to +200°C

Finish: Galvanized.

Thimble Heavy Duty Stub-end K2-B GN

Blueprint



Technical data

Part code	Rope Ø range mm	A mm	B mm	C mm	D mm	E mm	F mm	G mm	Weight kg/100pc
10.2511040999	14-15	101.6	75	50	50	17	22	6	40
10.2511045999	16-17	114.3	85	50	53	19	25	6	50
10.2511050999	18-19	127	100	60	60	21	29	8	80
10.2511055999	20-21	139.7	110	60	65	23	33	8	90
10.2511069999	22-23	152.4	115	70	70	25	34	8	100
10.2511079999	24-27	177.8	135	75	80	30	38	10	170
10.2511089999	28-30	203.2	155	80	100	33	44	10	250
10.2511099999	31-34	228.6	175	110	115	38	49	10	400
10.2511109999	35-37	254	190	120	120	41	52	15	450
10.2511119999	38-42	279.4	210	120	130	46	60	15	700
10.2511129999	43-47	304.8	245	140	145	52	65	15	830
10.2511149999	48-54	355.6	260	155	155	60	72	20	1,250
10.2511179999	55-63	431.8	310	200	190	70	84	20	1,800
10.2511199999	64-73	482.6	350	235	230	81	119	20	3,050
10.2511229999	74-83	558.8	395	240	255	92	130	20	4,050
10.2511249999	84-95	609.6	430	275	280	105	145	25	4,950
10.2511269999	96-109	660.4	450	295	285	120	155	30	5,400