

## Thimble DIN 6899(B) G-6131

---

### Product information



Standard wire-rope thimble made to the DIN 6899 Form B specification.

Certification on request: 2.1

... [Read more](#)

---

**Material:** mild steel

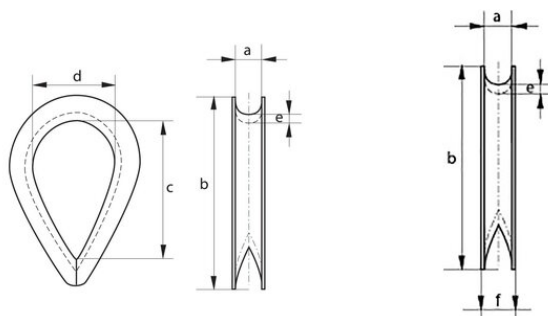
**Marking:** According to standard

**Finish:** Rope diameters up to and including 6 mm are electro-galvanized, other diameters are hot dipped galvanized

**Standard:** DIN 6899B

## Thimble DIN 6899(B) G-6131

### Blueprint



### Technical data

| Part code     | Rope Ø range mm | a mm | b mm mm | c mm | dmm mm | e mm mm | f mm mm | Weight kg |
|---------------|-----------------|------|---------|------|--------|---------|---------|-----------|
| -             | 2.5             | 3    | 22      | 19   | 12     | 1.6     | 6       | 0.6       |
| -             | 3.5             | 4    | 26      | 21   | 13     | 1.6     | 7       | 0.7       |
| 10.25B6899050 | 4               | 5    | 32      | 23   | 14     | 1.9     | 8       | 0.9       |
| 10.25B6899060 | 5               | 6    | 38      | 25   | 16     | 2.4     | 10      | 1.8       |
| 10.25B6899070 | 6               | 7    | 44      | 28   | 18     | 2.4     | 11      | 1.9       |
| 10.25B6899080 | 7               | 8    | 51      | 32   | 20     | 2.8     | 12      | 2.7       |
| 10.25B6899100 | 9               | 10   | 57      | 38   | 24     | 3.1     | 14      | 4.1       |
| 10.25B6899120 | 11              | 12   | 64      | 45   | 28     | 3.3     | 17      | 6.9       |
| 10.309140009  | 13              | 13   | 70      | 48   | 30     | 3.3     | 18      | 7.6       |
| 10.25B6899014 | 13              | 14   | 76      | 51   | 32     | 3.7     | 19      | 9.2       |
| 10.25B6899160 | 15              | 16   | 83      | 58   | 36     | 3.8     | 22      | 16.4      |
| 10.25B6899180 | 16              | 17   | 89      | 61   | 38     | 4.7     | 25      | 19        |
| -             | 17              | 18   | 95      | 64   | 40     | 4.7     | 26      | 20.3      |
| 10.25B6899200 | 18              | 20   | 102     | 72   | 45     | 5.7     | 28      | 27.3      |
| 10.25B6899220 | 20              | 22   | 114     | 80   | 50     | 5.7     | 30      | 28.6      |
| 10.25B6899240 | 22              | 24   | 127     | 90   | 56     | 6.5     | 34      | 44.8      |
| 10.25B6899260 | 24              | 26   | 140     | 99   | 62     | 6.8     | 36      | 57.7      |
| 10.25B6899280 | 26              | 28   | 152     | 112  | 70     | 8       | 38      | 72        |
| 10.25B6899300 | 28              | 30   | 165     | 120  | 75     | 8       | 42      | 104       |
| -             | 30              | 32   | 178     | 128  | 80     | 8       | 44      | 115       |
| -             | 32              | 34   | 203     | 152  | 95     | 8.5     | 46      | 153       |
| -             | 34              | 36   | 216     | 160  | 100    | 8.5     | 48      | 176       |

## Thimble DIN 6899(B) G-6131

### Technical data

| Part code | Rope Ø range mm | a mm | b mm mm | c mm | dmm mm | e mm mm | f mm mm | Weight kg |
|-----------|-----------------|------|---------|------|--------|---------|---------|-----------|
| -         | 36              | 38   | 229     | 176  | 110    | 8.5     | 50      | 195       |
| -         | 38              | 40   | 241     | 184  | 115    | 10.5    | 56      | 292       |
| -         | 40              | 42   | 254     | 192  | 120    | 10.5    | 58      | 320       |
| -         | 42              | 45   | 305     | 240  | 150    | 10.5    | -       | 364       |
| -         | 47              | 50   | 360     | 265  | 160    | 12      | -       | 535       |
| -         | 57              | 60   | 380     | 275  | 170    | 12      | -       | 790       |
| -         | 63              | 65   | 420     | 300  | 180    | 13      | -       | 830       |
| -         | 72              | 75   | 460     | 350  | 200    | 15      | -       | 1,200     |
| -         | 87              | 90   | 500     | 370  | 210    | 18      | -       | 2,600     |
| -         | 97              | 100  | 550     | 380  | 220    | 20      | -       | 3,050     |