

Thimble DIN 6899(B) G-6131

Product information



Standard wire-rope thimble made to the DIN 6899 Form B specification.

Certification on request: 2.1

... [Read more](#)

Material: mild steel

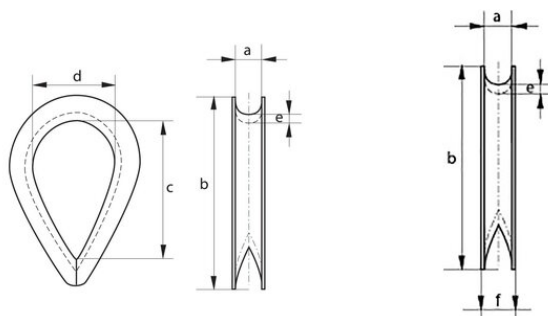
Marking: According to standard

Finish: Rope diameters up to and including 6 mm are electro-galvanized, other diameters are hot dipped galvanized

Standard: DIN 6899B

Thimble DIN 6899(B) G-6131

Blueprint



Technical data

Part code	Rope Ø range mm	a mm	b mm	c mm	d mm	e mm	f mm	Weight kg
-	2.5	3	22	19	12	1.6	6	0.6
-	3.5	4	26	21	13	1.6	7	0.7
10.25B6899050	4	5	32	23	14	1.9	8	0.9
10.25B6899060	5	6	38	25	16	2.4	10	1.8
10.25B6899070	6	7	44	28	18	2.4	11	1.9
10.25B6899080	7	8	51	32	20	2.8	12	2.7
10.25B6899100	9	10	57	38	24	3.1	14	4.1
10.25B6899120	11	12	64	45	28	3.3	17	6.9
10.309140009	13	13	70	48	30	3.3	18	7.6
10.25B6899014	13	14	76	51	32	3.7	19	9.2
10.25B6899160	15	16	83	58	36	3.8	22	16.4
10.25B6899180	16	17	89	61	38	4.7	25	19
-	17	18	95	64	40	4.7	26	20.3
10.25B6899200	18	20	102	72	45	5.7	28	27.3
10.25B6899220	20	22	114	80	50	5.7	30	28.6
10.25B6899240	22	24	127	90	56	6.5	34	44.8
10.25B6899260	24	26	140	99	62	6.8	36	57.7
10.25B6899280	26	28	152	112	70	8	38	72
10.25B6899300	28	30	165	120	75	8	42	104
-	30	32	178	128	80	8	44	115
-	32	34	203	152	95	8.5	46	153
-	34	36	216	160	100	8.5	48	176

Thimble DIN 6899(B) G-6131

Technical data

Part code	Rope Ø range mm	a mm	b mm	c mm	d mm	e mm	f mm	Weight kg
-	36	38	229	176	110	8.5	50	195
-	38	40	241	184	115	10.5	56	292
-	40	42	254	192	120	10.5	58	320
-	42	45	305	240	150	10.5	-	364
-	47	50	360	265	160	12	-	535
-	57	60	380	275	170	12	-	790
-	63	65	420	300	180	13	-	830
-	72	75	460	350	200	15	-	1,200
-	87	90	500	370	210	18	-	2,600
-	97	100	550	380	220	20	-	3,050